

Question: How do I rack mount the GigaVUE-MP and GigaVUE-420 systems?

Answer:

Unpack GigaVUE and inspect the box it was shipped in. If the carton was damaged, please file a claim with the carrier who delivered it. Next, select a suitable location for the rack unit that will hold the GigaVUE.

Choose a location that is clean, dust free, and well ventilated. You will need access to a grounded power outlet. Avoid areas where heat, electrical wire, and electromagnetic fields are generated.

Plan for enough clearance in front of a rack so you can open the front door completely (approximately 25 inches) and enough clearance in the back of the rack to allow sufficient airflow and easy access for servicing the 10 Gb connections.

Rack-Mounting the GigaVUE

This section describes how to rack-mount the GigaVUE in a standard 1U rack space using the hardware provided with the chassis. You can install the GigaVUE in racks with a minimum width of 17.75".

The procedures for rack-mounting the GigaVUE-420 and the GigaVUE-MP are slightly different and are provided in sections below.

Safety Precautions

There are a wide variety of racks available on the market. Make sure you consult the instructions provided by your rack vendor for detailed mounting instructions before installing the GigaVUE chassis.

Note: Before rack-mounting the GigaVUE, make sure you have read the following safety precautions:

- The GigaVUE chassis weighs approximately 31 pounds when fully populated. Make sure you install any stabilizers provided for the rack before installing the chassis. Unsecured racks can tip over.
- Make sure you install boxes in the rack from the bottom up with the heaviest boxes at the bottom.
- Make sure you provide adequate ventilation to the systems installed in the rack.

Rack-Mounting the GigaVUE-420

The following sections describe how to rack-mount the GigaVUE-420:

Rack Mounting Hardware

GigaVUE-420 systems are shipped with one of two possible rack mount kits. Both kits include rack ears for mounting. However, some kits include slide assemblies ([Figure 4-1](#)) while others include full-length brackets ([Figure 4-2](#)). Both kits let you mount the GigaVUE-420 in either a four-post or two-post rack.

Slide Assembly Kit

[Figure 1](#) shows the slide-assembly rack mount hardware. You use this hardware together with the supplied screws to rack mount the system in either a four-post or two-post rack.

Slide Assemblies

Use the slide assemblies together with the orange rack ears for four-point mounting in a four-post rack.

Rack Ears

Use the rack ears either by themselves for center-mounting in a two-post rack or together with the slide assemblies for four-point mounting in a four-post rack.



Figure 1 Rack Mount Hardware Kit - Slide Assemblies

Gigamon FAQs

Full-Length Bracket Kit

[Figure 2](#) shows the full-length bracket rack mount hardware. You use this hardware together with the supplied screws to rack mount the system in either a four-post or two-post rack.

Full Length Brackets

The full-length brackets can be attached to the sides of the GigaVUE-420 chassis, and adjusted forwards or backwards as necessary to fit any rack.



Figure 2 Rack Mount Hardware Kit – Full-Length Brackets

Rack-Mount Examples – Slide Assemblies

The following sections provide some examples of how to use the slide assemblies to rack mount the GigaVUE-420:

- *Four-Point Mounting in Four-Post Racks (Slide Assemblies)*
- *Center-Mounting in Two-Post Racks (Slide Assemblies)*

Four-Point Mounting in Four-Post Racks (Slide Assemblies)

To mount the GigaVUE in a four-post rack, you use both the orange rack ears and the slide assemblies. The rack ears attach at the front of the unit and the slide assemblies at the rear.

The slide assemblies make it easy to adjust the mount points to fit racks of varying widths:

- The unit can slide forward and backward on the slide assembly to fit the width of the rack.

Gigamon FAQs

- There are two attachment points on the side of the GigaVUE for the slide assemblies, making it easy to adjust the width to fit the rack ([Figure 3](#)).

Slide Assembly Attached in Front Position

In this picture, the slide assembly is attached in the front position.



Slide Assembly Attached in Rear Position

In this picture, the slide assembly is attached in the rear position.



Figure 3 Attachment Points for Slide Assemblies

To mount the GigaVUE chassis in a four-post rack:

1. Attach the orange rack ears to the front of the unit using the supplied screws.
2. As shown in [Figure 1](#), the slide assemblies consist of two parts – a flat tab with a beveled edge and a sliding bracket that fits over the tab. Attach the flat tabs to the GigaVUE at one of the two rear positions (see [Figure 3](#)). Select the position that best fits the width of your rack.
3. Attach the bracket portions of the slide assembly to the rear posts of the rack with the supplied screws.
4. Slide the chassis into the rack space occupied by the brackets, making sure that the tabs fit into the brackets.
5. Slide the unit in until the orange rack ears are flush with the front rack posts.
6. Attach the orange rack ears to the front posts of the rack with the supplied screws.

Gigamon FAQs

Center-Mounting in Two-Post Racks (Slide Assemblies)

To center-mount the GigaVUE in a two-post rack, you attach the orange rack ears to the middle of the unit. As shown in [Figure 4](#), you can attach the rack ears facing either forward or backward to best fit your rack.

Forward-Facing Rack Ears

In this picture, the rack ears are attached at the center-mount position facing towards the front of the chassis.



Rear-Facing Rack Ears

In this picture, the rack ears are attached at the center-mount position facing towards the rear of the chassis.



Figure 4 Attaching Rack Ears for Center-Mounting

To center-mount the GigaVUE chassis in a two-post rack:

1. Attach the orange rack ears to the middle of the unit using the supplied screws.
As shown in [Figure 4](#), you can attach the rack ears facing towards either the front or the rear of the chassis. Select the orientation that best fits your rack. For example, one position may provide better clearance for rack doors at the front of the chassis.
2. While one person supports the weight of the unit with the rack ears flush to the chassis, a second person can attach the ears to the rack with the supplied screws.

Rack-Mounting the GigaVUE-MP

The GigaVUE-MP can be rack-mounted using any of the following mount points:

- Four-point front and rear-mounted using the front rack ears and the supplied brackets.
- Two-point center-mounted using the supplied brackets.

There are a wide variety of racks available on the market. Make sure you consult the instructions provided by your rack vendor for detailed mounting instructions before installing the GigaVUE-MP chassis.

Center-Mounting Installation Instructions

To center-mount the GigaVUE-MP chassis in a two-post rack:

1. Attach the front of the bracket provided with the GigaVUE-MP to the two-post rack as shown in [Figure 5](#).

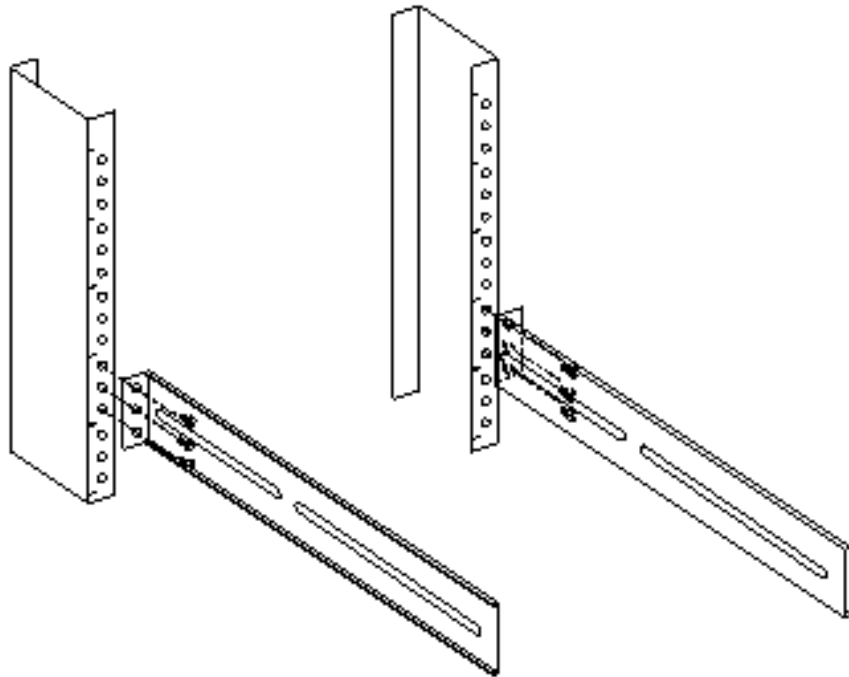


Figure 5 Attaching the Brackets to the Rack (Two-Post Rack)

Gigamon FAQs

- Slide the chassis into the rack space occupied by the brackets as shown in [Figure 6](#).

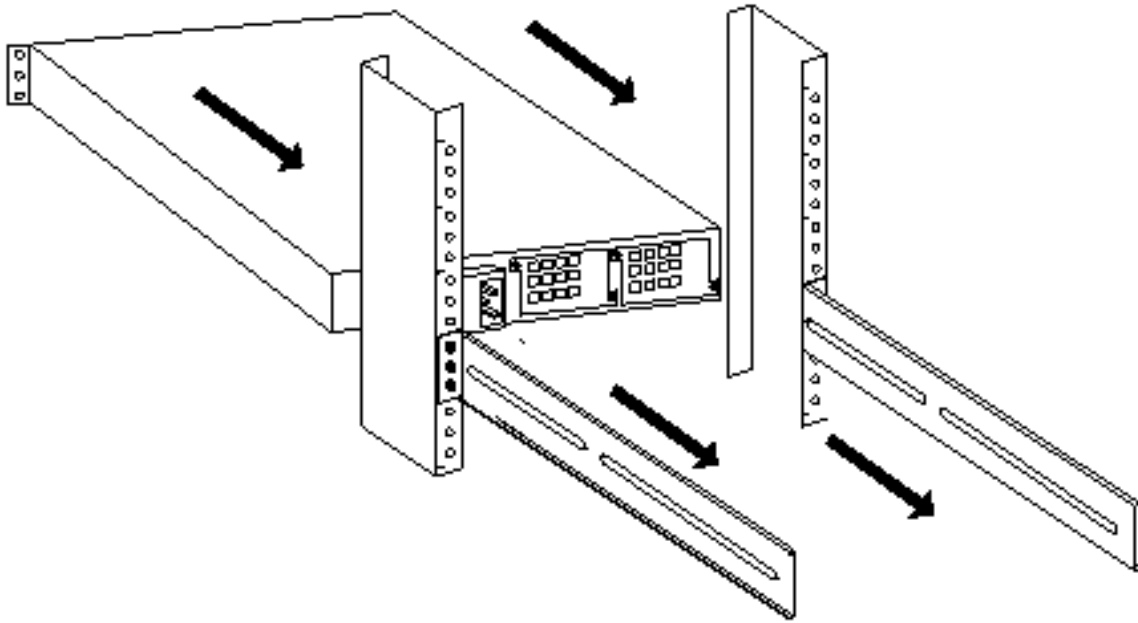


Figure 6 Sliding the Chassis into the Rack Space

- Attach the rear side screws through the bracket and into the GigaVUE-MP chassis, as shown in [Figure 7](#).
- There are two rear side screws for each side of the chassis.

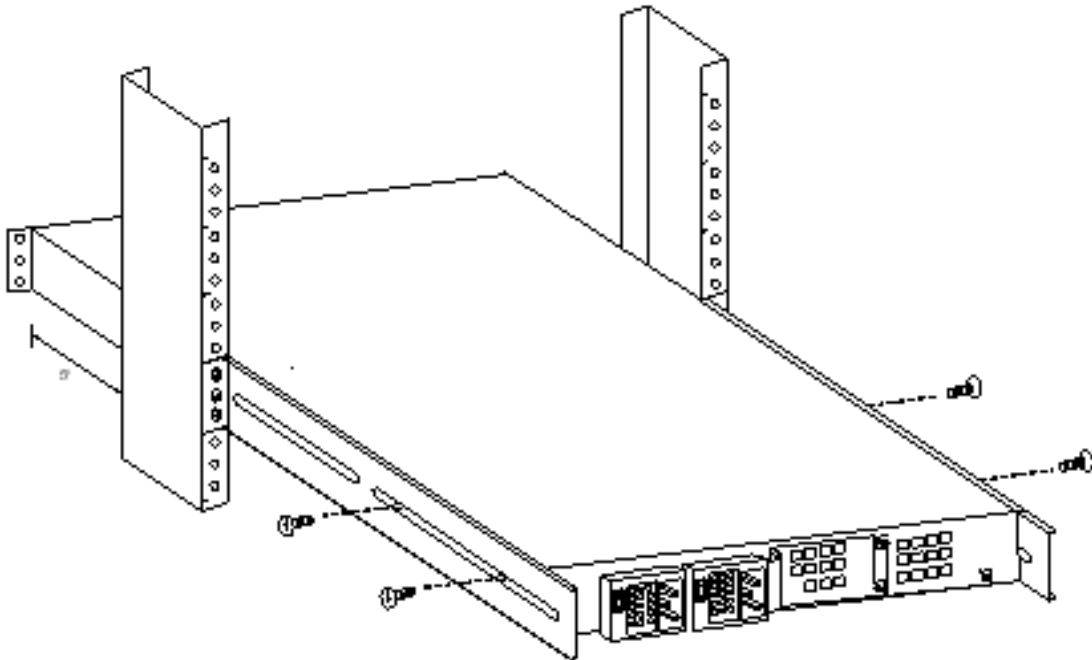


Figure 7 Attaching the Rear Side Screws

Gigamon FAQs

Figure 8 shows an example of a properly center-mounted GigaVUE-MP chassis.



Figure 8 Center-Mounted GigaVUE-MP

For Technical Support contact Gigamon Systems via email at support@gigamon.com or call 408-263-2024.

