



# Data Center Monitoring

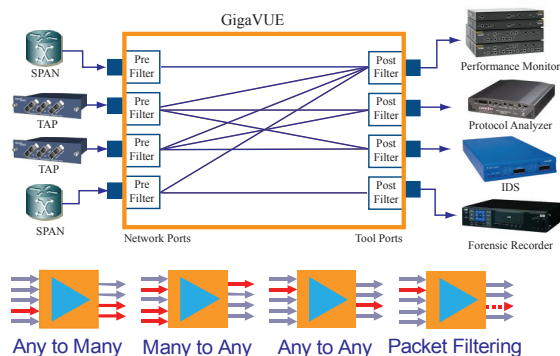


## Enterprise Network Integrity

Gigamon™, the leading provider of intelligent data access networking products, ensures network integrity including performance, security and compliance by enabling your monitoring tools to operate at maximum efficiency.

## Value Proposition

Gigamon offers a superior alternative to managing distributed, over subscribed monitoring tools and at the same time protect the investment already made in these tools. Connect to a SPAN port or TAP into high speed 1GbE or 10GbE core. Through a smart filtering capability, GigaVUE® delivers selected traffic to any and all tools connected to our device at full line rate.



The figure above illustrates the concept of data flows between network and tool ports. Data arrives from different sources at the network ports on the left and is forwarded to different tools connected to tool ports on the right. Traffic arriving at a single network port can be replicated to multiple destination tool ports. Filters applied at network ports are pre-filters before aggregation and filters applied to the tool ports are post-filters that customize the view to your tools.

## Top 5 Advantages:

1. Save CapEx and OpEx monitoring budgets by doing more with less. Aggregate several high speed connections and send specific traffic to a consolidated and secure tool farm.
2. Monitor critical data from 10GbE ports with 1GbE tools.
3. Make peace between Security and IT engineers. Solve the contention for SPAN ports or TAPs when multiple tools share the same data.
4. Eliminate engineering change order delays. Provide a very secure out-of-band "data socket" that allows flexibility in connecting and disconnecting tools in a production environment without waiting for maintenance windows.
5. Connect ANY tool to ANY data, at ANY time. TAP into several network segments simultaneously and provide many network and security engineers their own secure "sand box" anytime".

## Eliminate TAP & SPAN Port Contention

Immediately solve the constant contention between the IT team, security team and compliance team. Enable engineers to deploy monitoring tools at will.

## Secure Solution

Gigamon's GigaVUE provide a managed and secure alternative to monitoring ports. Alerts notify if any TAP or SPAN port connection or disconnection occurs with any monitoring device.